

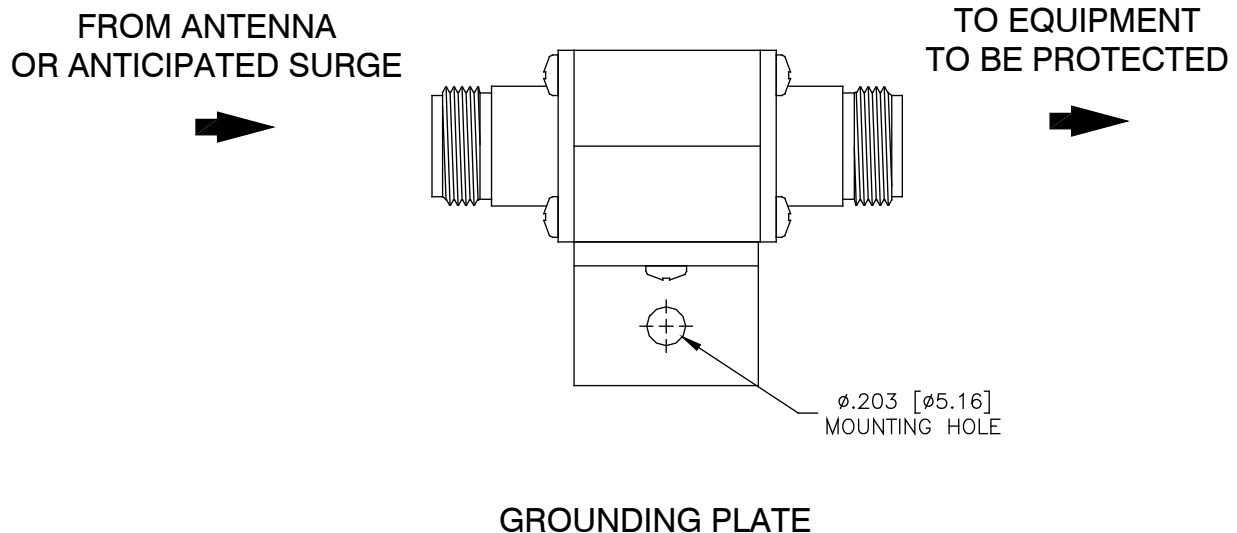
**IMPULSE SUPPRESSOR INSTALLATION**  
PLEASE READ SHEET BEFORE INSTALLING

**IS-50 SERIES**

The IS-50 Series is labeled indicating the frequency and power handling ability. The location of the "ANTENNA" and "EQUIPMENT" ports are also marked. A backward installation will not protect your equipment. There is no dc continuity from center pin to center pin on this unit. The operating bandwidth and power handling capabilities are labeled for each unit. Be sure the unit meets your application. A conductive joint compound is recommended at the flange/ground junction to minimize weather related complications and improve conductivity. Copper Cleaning Kits (CCK) with conductive joint compound are available from PolyPhaser.

For outside installations: This unit is not weatherproof and must be sealed against moisture. Customer must either order a "diver tested" model or apply PolyPhaser's Weather Proofing Kit (WK-1) to seal the unit and cable connections.

**CAUTION:** WHEN INSERTING MALE UHF CONNECTOR CENTER PIN INTO CONNECTOR, DO NOT ALLOW ANY ROTATION.



**IT IS VERY IMPORTANT THIS UNIT BE GROUNDED TO A LOW IMPEDANCE (LOW R AND LOW L) GROUND SYSTEM IN ORDER TO WORK PROPERLY.** When attaching grounding stud, use maximum of 20 lbf-in. [2.26 N-m] of torque on 10-32 hardware. We strongly recommend this ground be interconnected to the tower ground and power ground to form one system. To minimize the "in-air" interconnect inductance to the ground system since skin effect is present, use as straight and as large a surface area strap as possible. Keep bends to 8.0" [203.2mm] radius or larger.

The transmission line is only one means of having damaging impulse energy enter your equipment. We recommend power line and telephone line protectors be used on the equipment.

**WARNING- Do not connect** when a storm is near! **Do not connect** when transmissions are occurring! **Do not stay** in an area that has operating equipment in an electrical storm! The impulse suppressor may save the equipment from danger, but it cannot keep you or anyone else safe in the area!

*These commodities or technology are exported from the U.S. in accordance with the Export Administration Regulations. Diversion contrary to U.S. law prohibited.*